

Profile system

- | Element thickness 27 mm
- | Framed slide and swivel system
- | In-line support, with vertical panel profiles

Standard window system

- | Can be combined with SL 45 standard window system: parapets, fixed panels, tilt and turn

Fittings

- | No protruding runner and guide tracks.
- | Concealed fittings for one hand operation
- | Turning sash equipped with knob grip for easy internal and external operation
- | Extensive layout options thanks to mobile carriage which can be manoeuvred through all angles from 90° - 180°

Glazing

- | Glazing with single pane safety glass
- | Glass thickness 6, 8 or 10 mm available


Surface finish

- | Powder coating to RAL
- | Anodised aluminium to EURAS


Tested for / approved by

- | Permanently vented system, water tight
- | IWT (Institute of Window Technology) certificate No. 106 31293
- | TÜV certificate No.: B 99 09 37329 001
- 18.000 cycles - vacuum and pressure tested, both +/-1.000 Pa
- 10.000 opening and closing operation cycles
- Pendulum impact test with 45 kg penetrator which impacts the glazing from a deflection angle of 30° and with a radius of 1.2 m
- | Otto-Graf-Institut, University of Stuttgart test report No.: 25-31188, system test



 wintergardens




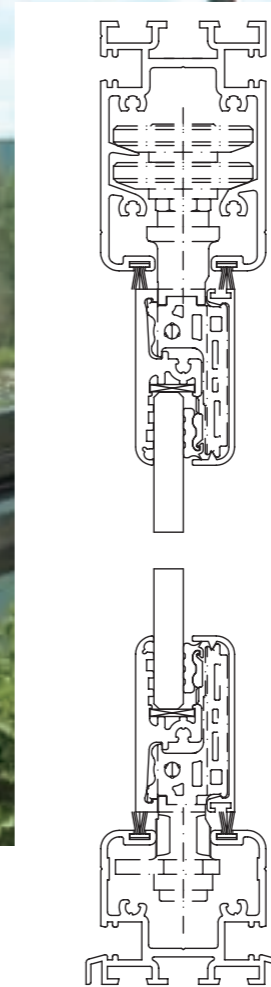
 folding façades



 commercial façades



 balcony glazing



SL 25R BALCONY GLAZING

Product Data

56-02-021 / 01.2007

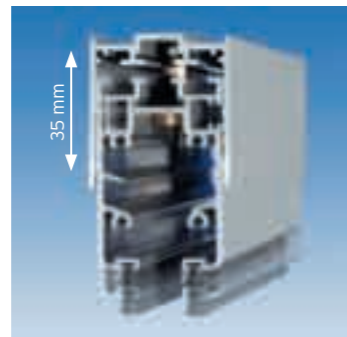




Engineered

Horizontal twin ball bearing runner devices guarantee that window sashes can be slid open extremely smoothly

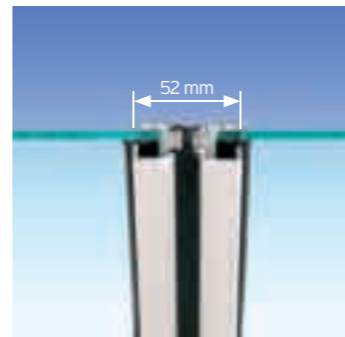
Manoeuvrable through any angle from 90° to 180°



Height adjustment

Height compensation section to absorb tolerances of up to 35 mm (even after installation).

Clean fitting without additional cover plates, quick and problem-free installation



Transparency

Panel joints of only 52 mm width ensure maximum view



Ventilation

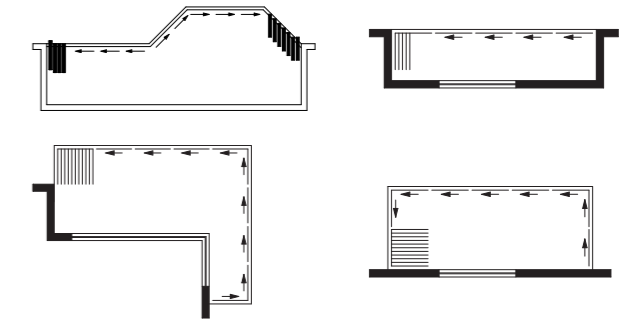
Lockable two-step trickle ventilation for controlled ventilation (optional)



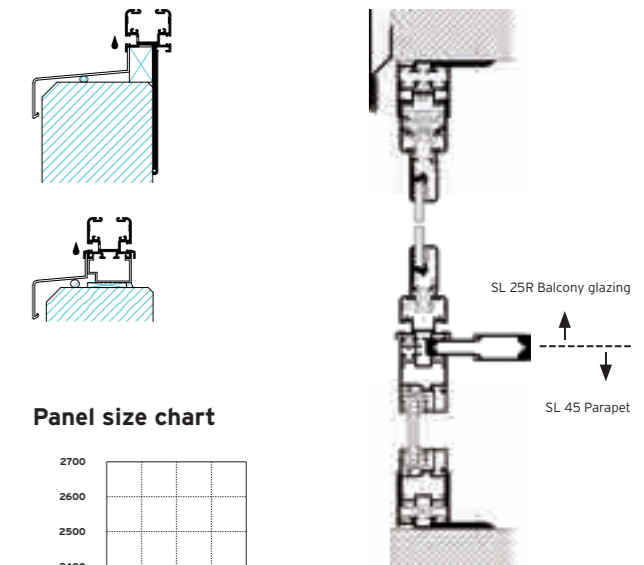
Specification for
SL 25R Balcony Glazing

Examples in plan view / configuration variants

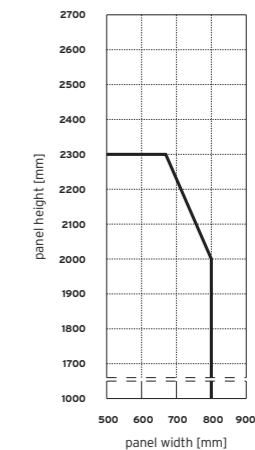
Available as top hung construction. Can be made to slide outward, inward, to the left or to the right - as required.



Examples of floor or parapet details



Panel size chart



Maximum panel sizes

- | 800 x 2000 mm
- | 675 x 2300 mm
- | Special sizes on request

Maximum opening width

- | Unlimited



Width adjustment

Width compensation up to 30 mm by means of adjustable frame and panel stops (without additional trims)



Cleaning

Cleaning of the outer glass surface is easily carried out from the inside



Weather stripping / acoustic insulation

Water tight and sound absorbing system (25 dB)



Security / Comfort

Integrated 2-step-locking

Patented one handed operation by means of stainless steel cable control

Child lock / lockable intruder protection (optional)